

A B C D E

1

2

3

4

5

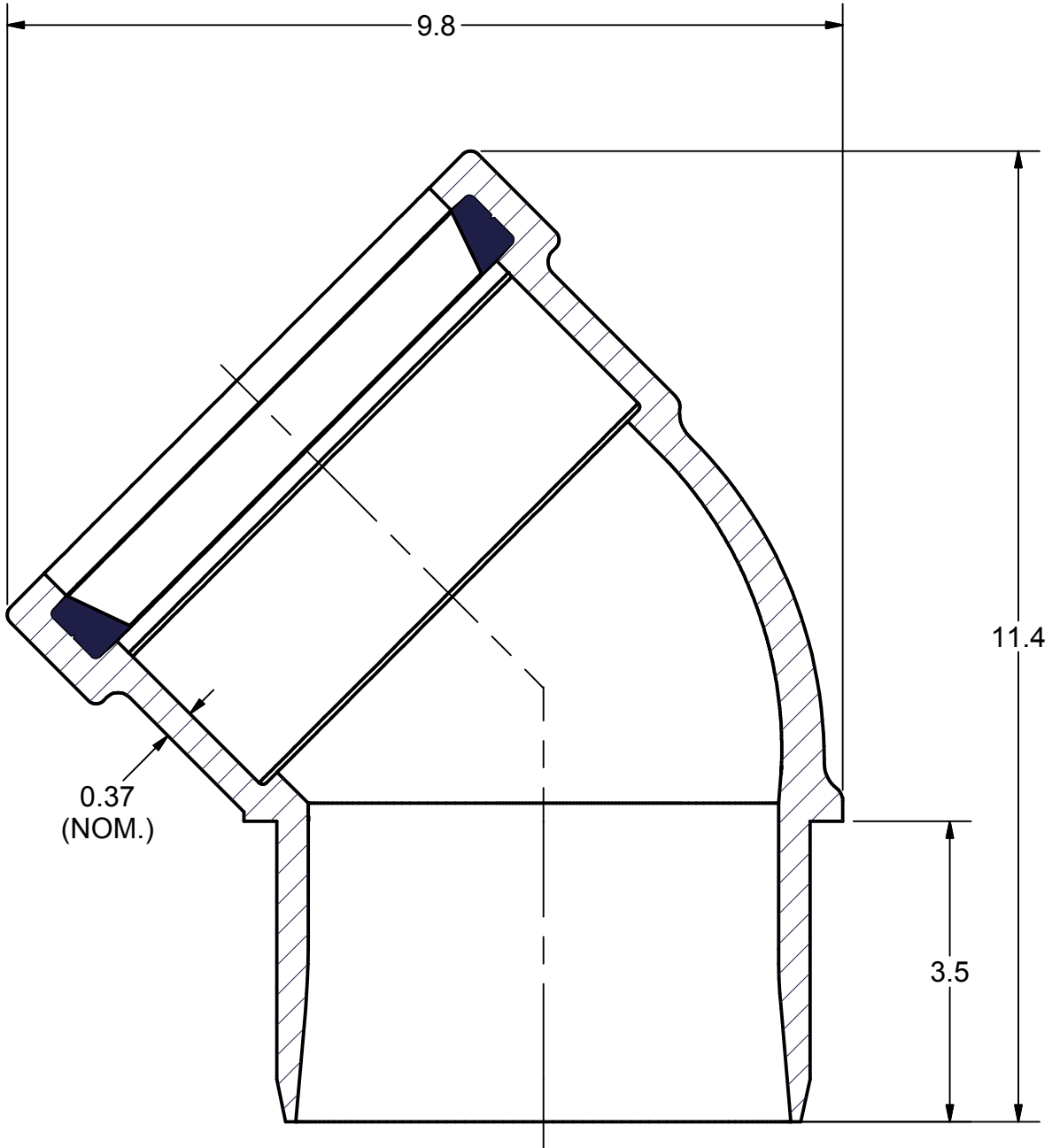
6

7

8

9

10



APPLICABLE STANDARDS

FITTINGS ASTM D-3034, F-1336
 MATERIALS ASTM D-1784
 JOINTS ASTM D-3212
 GASKETS ASTM F-477
 WALL THICKNESS SDR-18

PART #: 51-22-060
MAT'L: PVC
CAL. WT.: 4.4 lbs

DRAWN BY: srouton	DETAILED BY: SBR	REV: A	EFFECTIVE DATE: 4/16/2004
DWG DATE: 9/2/2005	REVIEWED BY: SBR		DRAWING NUMBER: 01020118 SPEC.idw
MATERIAL: PVC	SCALE: n/a	SHEET: 1 of 1	



THE HARRINGTON CORPORATION

TITLE: 6" 45 BEND BxS, SDR-18 SEWER

A

B

C

D

E

1

2

3

4

5

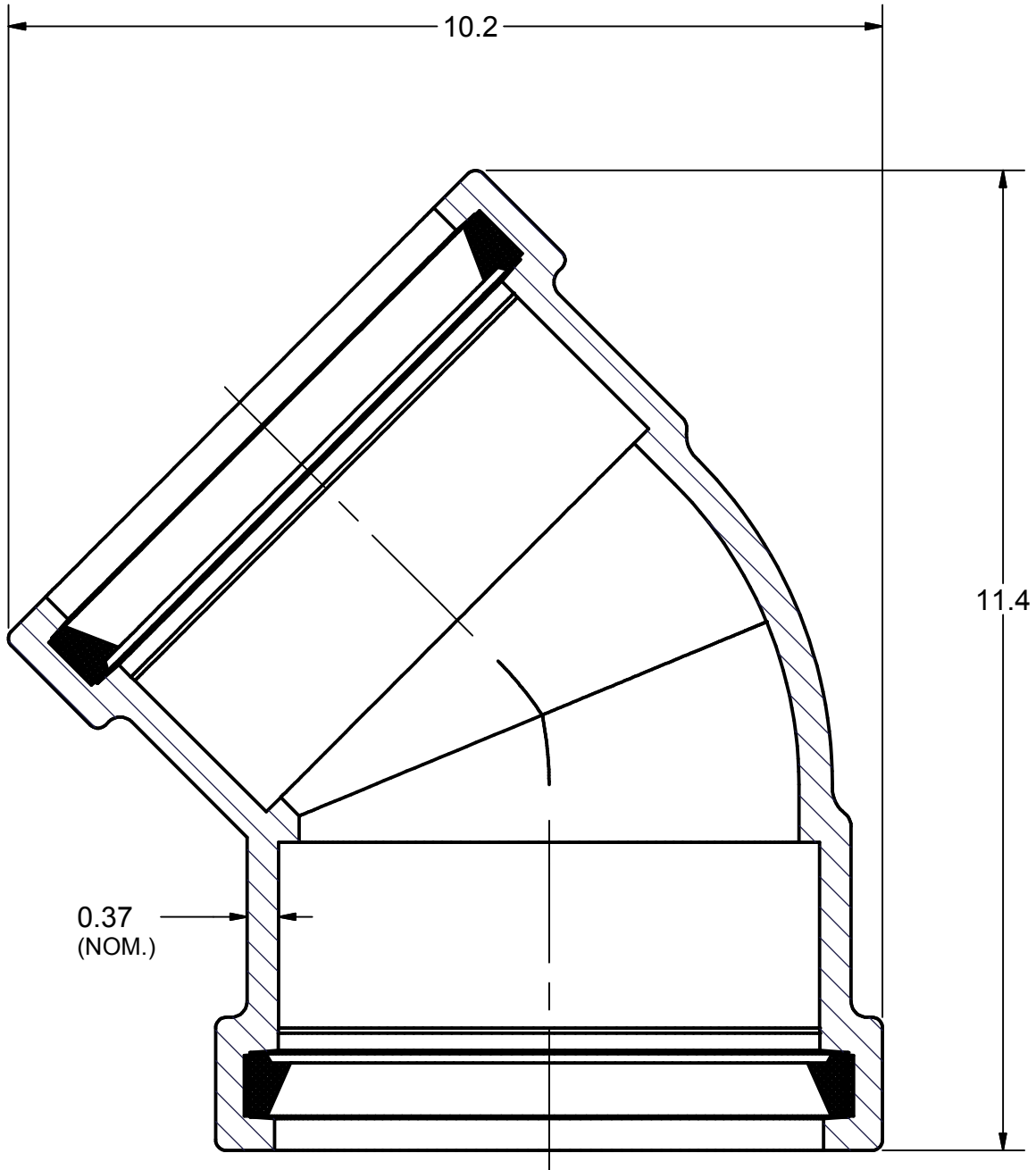
6

7

8

9

10



PART #: 51-22-060
 MAT'L: PVC
 CAL. WT.: 4.8 lb

APPLICABLE STANDARDS

FITTINGS ASTM D-3034, F-1336
 MATERIALS ASTM D-1784
 JOINTS ASTM D-3212
 GASKETS ASTM F-477
 WALL THICKNESS SDR-18

DRAWN BY: JMS	DETAILED BY: JMS	REV: A	EFFECTIVE DATE: 4/16/2004
DWG DATE: 4/15/2004	REVIEWED BY: SBR		DRAWING NUMBER: 01020029 SPEC.idw
MATERIAL: PVC	SCALE: n/a	SHEET: 1 of 1	



THE HARRINGTON CORPORATION

TITLE:
6" 45 BEND BxB, SDR-18 SEWER

A B C D E

1

2

3

4

5

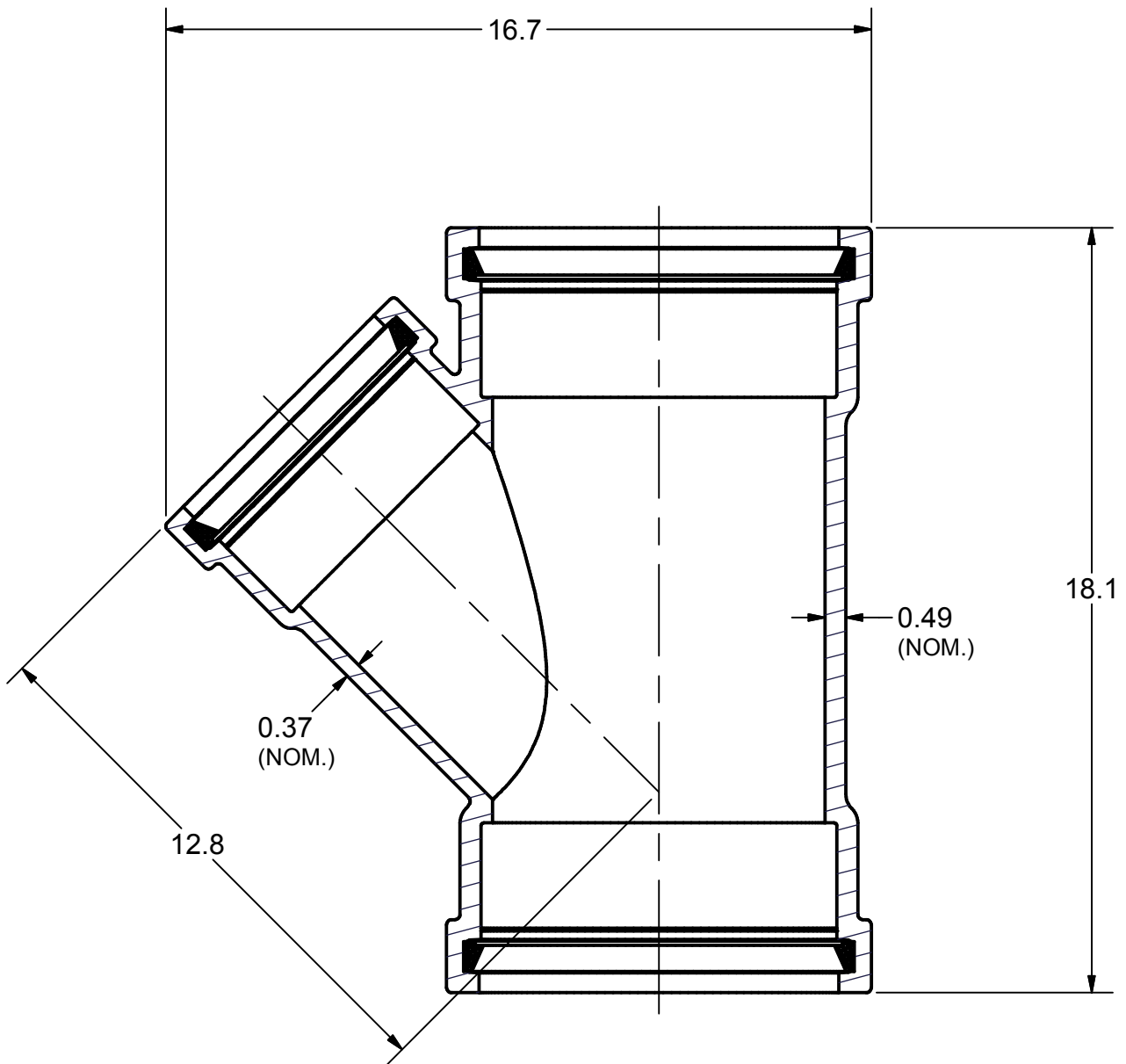
6

7

8

9

10



APPLICABLE STANDARDS

FITTINGS ASTM D-3034, F-1336
 MATERIALS ASTM D-1784
 JOINTS ASTM D-3212
 GASKETS ASTM F-477
 WALL THICKNESS SDR-18

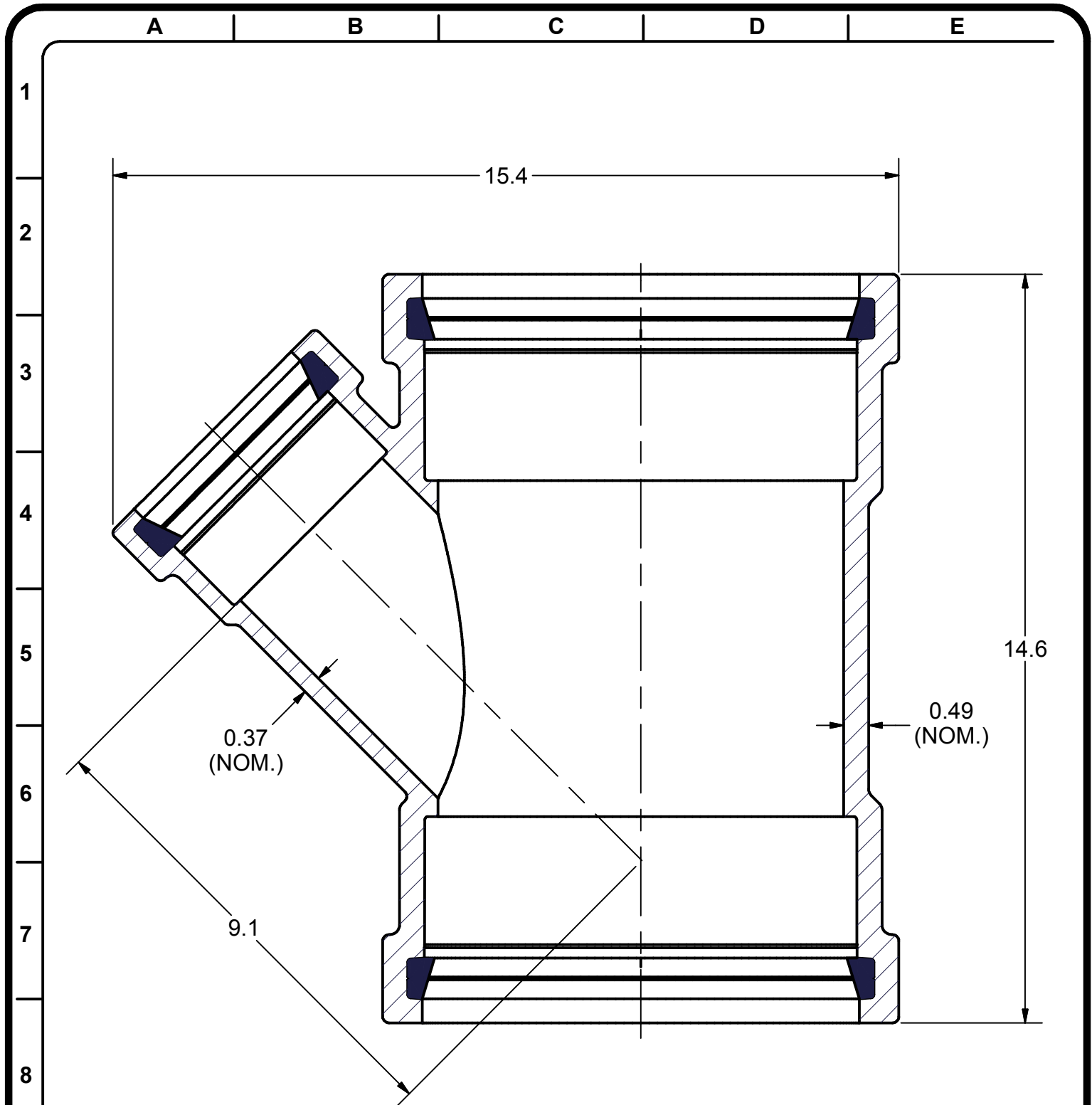
PART #: 51-01-0806
MAT'L: PVC
CAL. WT.: 15.6 LB

DRAWN BY: JMS	DETAILED BY: JMS	REV: A	EFFECTIVE DATE: 4/16/2004
DWG DATE: 4/15/2004	REVIEWED BY: SBR	SCALE: n/a	DRAWING NUMBER: 01020030 SPEC.idw
MATERIAL: PVC			SHEET: 1 of 1



THE HARRINGTON CORPORATION

TITLE:
8" x 6" WYE BxBxB, SDR-18 SEWER



PART #: 51-01-0804
MATERIAL: PVC
CAL. WT: 12.7 lbs

APPLICABLE STANDARDS

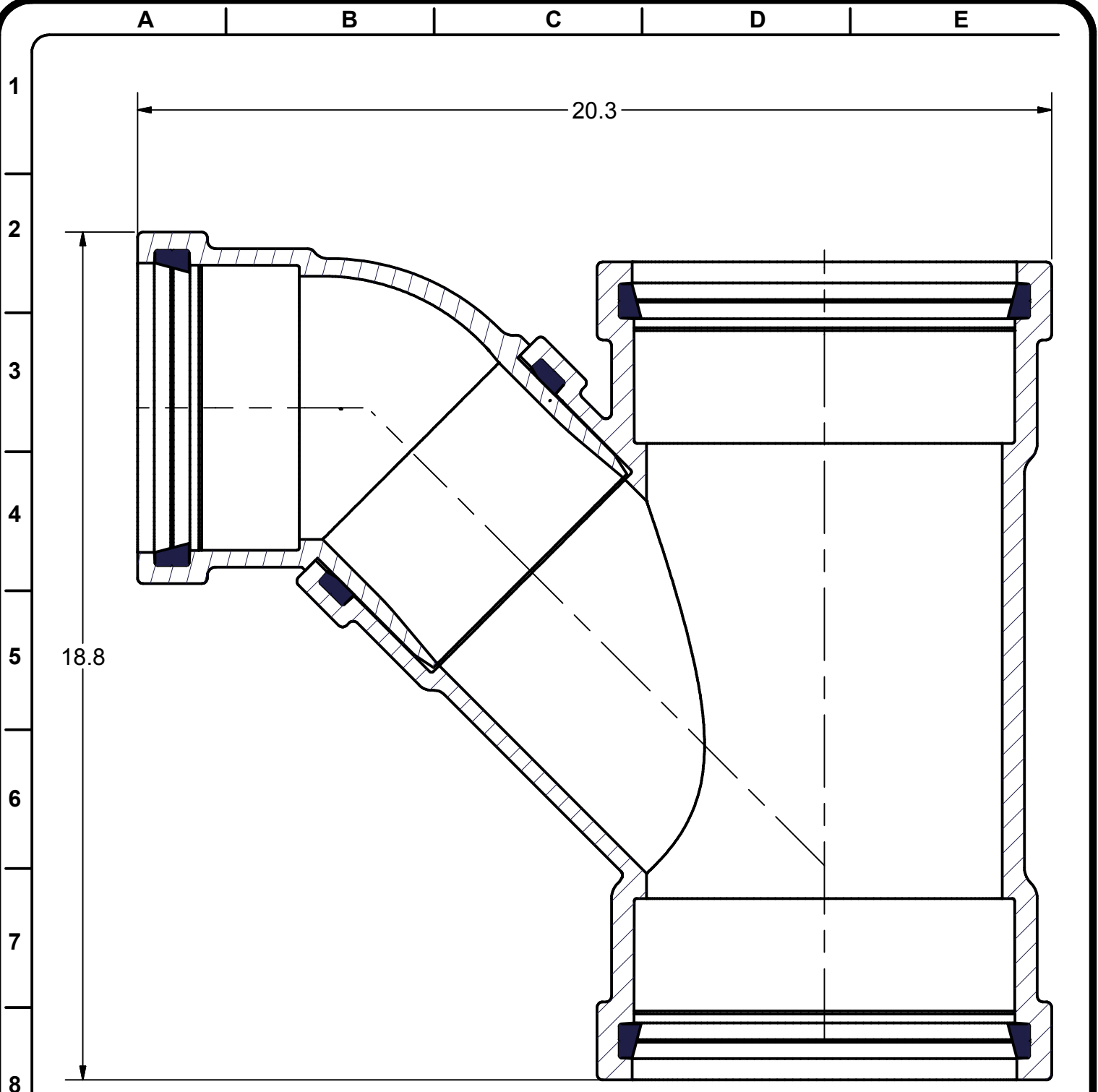
FITTINGS	ASTM D-3034, F-1336
MATERIALS	ASTM D-1784
JOINTS	ASTM D-3212
GASKETS	ASTM F-477
WALL THICKNESS	SDR-18

DRAWN BY: SBR	DETAILED BY: SBR	REV: A	EFFECTIVE DATE: 5/22/07
DWG DATE: 9/28/2005	REVIEWED BY: SBR	A	DRAWING NUMBER: 01020117 SPEC.idw
MATERIAL: PVC	SCALE: n/a		SHEET: 1 of 1



THE HARRINGTON CORPORATION

TITLE:
8x4 WYE BxBxB, SDR-18 SEWER



APPLICABLE STANDARDS

FITTINGS	ASTM D-3034, F-1336
MATERIALS	ASTM D-1784
JOINTS	ASTM D-3212
GASKETS	ASTM F-477
WALL THICKNESS	SDR-18

PART #: 51-05-0806
MAT'L: PVC
CAL. WT.: 20.1 LBS

DRAWN BY: TLD	DETAILED BY: TLD	REV: A	EFFECTIVE DATE: 5/22/2007
DWG DATE: 5/22/2007	REVIEWED BY: SBR		DRAWING NUMBER: SX645BS and SX8x6YBBB-(SPEC).idw
MATERIAL: PVC	SCALE: n/a	SHEET: 1 of 1	



**THE HARRINGTON
CORPORATION**

TITLE:
6" 45 BxS and 8"x6" WYE BxBxB