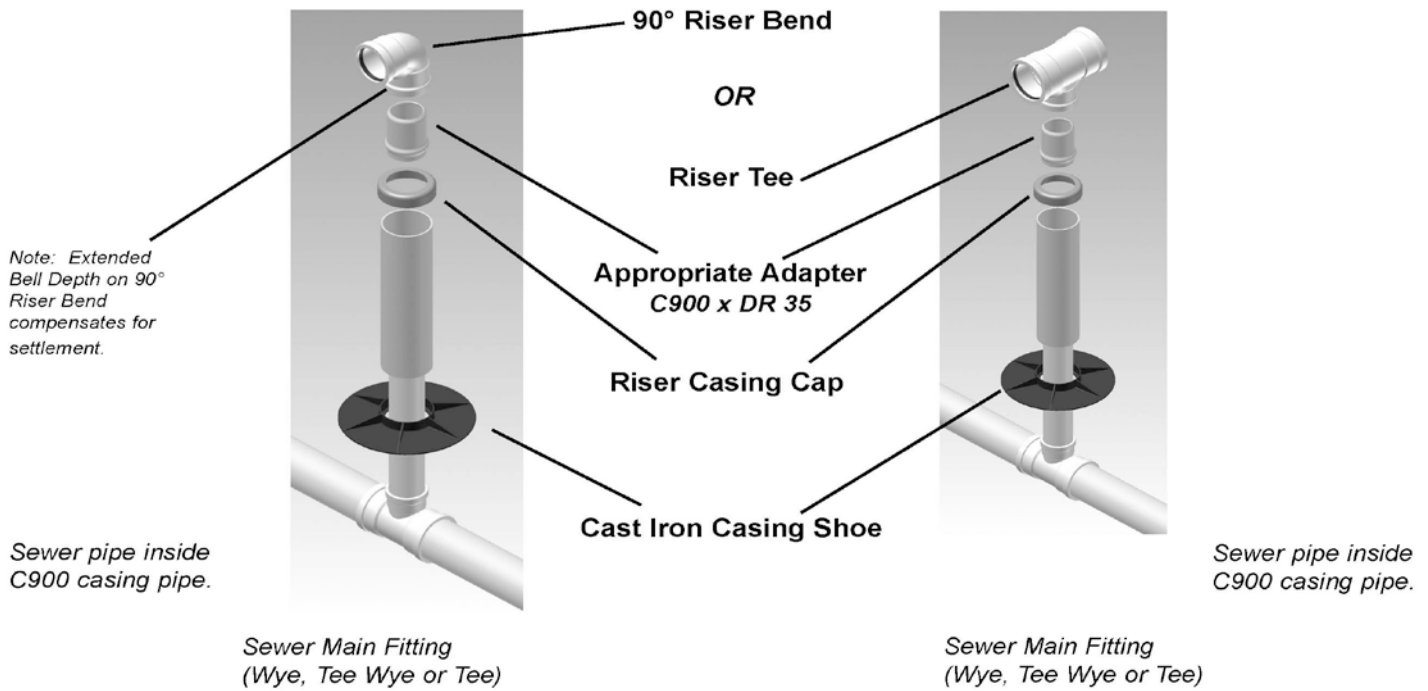


HARCO PRICE LIST

Special Application Sewer Products

Please allow 3-5 business days from receipt of P.O. for shipment

DEEP BURY SEWER RISER KITS



DEEP BURY SEWER RISER 90° KIT



SIZE	PART NUMBER	CTN QTY	CTN WT	LIST PRICE
8 x 4 x C900	290-0804-C	1	54	\$1,377.68
8 x 4 x IPS	290-0804-I	1	54	\$1,408.22
8 x 4 x SWR	290-0804-S	1	56	\$1,411.62
8 x 6 x C900	290-0806-C	1	59	\$1,537.18
8 x 6 x IPS	290-0806-I	1	59	\$1,574.51
8 x 6 x SWR	290-0806-S	1	64	\$1,584.69
10 x 8 x C900	290-1008-C	1	66	\$2,005.50
10 x 8 x IPS	290-1008-I	1	66	\$2,056.40
10 x 8 x SWR	290-1008-S	1	74	\$2,056.40

DEEP BURY SEWER RISER TEE KIT



SIZE	PART NUMBER	CTN QTY	CTN WT	LIST PRICE
8 x 4 x C900	290-0404-C	1	55	\$1,448.95
8 x 4 x IPS	290-0404-I	1	55	\$1,510.03
8 x 4 x SWR	290-0404-S	1	55	\$1,516.82
8 x 6 x C900	290-0606-C	1	64	\$1,774.73
8 x 6 x IPS	290-0606-I	1	64	\$1,852.78
8 x 6 x SWR	290-0606-S	1	0	\$1,873.15
10 x 8 x C900	290-0808-C	1	71	\$2,004.71
10 x 8 x IPS	290-0808-I	1	71	\$2,041.07
10 x 8 x SWR	290-0808-S	1	79	\$2,065.31

HARCO PRICE LIST

Special Application Sewer Products

2-WAY DIRECTIONAL CLEANOUT (SDR-35)



(G x G x G)

SIZE	PART NUMBER	CTN QTY	CTN WT	LIST PRICE
4 x GGG	268-0404	1	8	\$332.57
6 x GGG	268-0606	1	20	\$495.47
8 x 4 GGG	268-0804	1	36	\$627.82
8 x 6 GGG	268-0806	1	45	\$760.17

2-WAY DIRECTIONAL CLEANOUT (SDR-35)



(G x S x G)

SIZE	PART NUMBER	CTN QTY	CTN WT	LIST PRICE
4 x GSG	269-0404	1	8	\$332.57
6 x GSG	269-0606	1	20	\$495.47
8 x 4 GSG	269-0804	1	36	\$627.82
8 x 6 GSG	269-0806	1	45	\$760.17

2-WAY DIRECTIONAL CLEANOUT (SDR-35)



(G x G x H)

SIZE	PART NUMBER	CTN QTY	CTN WT	LIST PRICE
4 x GGH	270-0404	1	8	\$332.57
6 x GGH	270-0606	1	20	\$495.47
8 x 4 GGH	270-0804	1	36	\$627.82
8 x 6 GGH	270-0806	1	45	\$760.17

2-WAY DIRECTIONAL CLEANOUT (SDR-35)



(G x S x H)

SIZE	PART NUMBER	CTN QTY	CTN WT	LIST PRICE
4 x GSH	271-0404	1	8	\$332.57
6 x GSH	271-0606	1	20	\$495.47
8 x 4 GSH	271-0804	1	36	\$627.82
8 x 6 GSH	271-0806	1	45	\$760.17

RISER 90°



SIZE	PART NUMBER	CTN QTY	CTN WT	LIST PRICE
4 x IPS	290-410	1	9	\$251.13
4 x SWR	290-420	1	11	\$254.52
4 x C900	290-430	1	9	\$217.19
6 x IPS	290-610	1	14	\$414.02
6 x SWR	290-620	1	19	\$424.20
6 x C900	290-630	1	14	\$376.69
8 x IPS	290-810	1	21	\$652.51
8 x SWR	290-820	1	28	\$676.75
8 x C900	290-830	1	21	\$616.15

HARCO PRICE LIST

Special Application Sewer Products

2-WAY DIRECTIONAL CLEANOUT (SDR-26)



(G x G x G)

SIZE	PART NUMBER	CTN QTY	CTN WT	LIST PRICE
4 x GGG	568-0404	1	8	\$498.86
6 x GGG	568-0606	1	20	\$743.20
8 x 4 GGG	568-0804	1	36	\$941.72
8 x 6 GGG	568-0806	1	45	\$1,140.25

2-WAY DIRECTIONAL CLEANOUT (SDR-26)



(G x S x G)

SIZE	PART NUMBER	CTN QTY	CTN WT	LIST PRICE
4 x GSG	569-0404	1	8	\$498.86
6 x GSG	569-0606	1	20	\$743.20
8 x 4 GSG	569-0804	1	36	\$941.72
8 x 6 GSG	569-0806	1	45	\$1,140.25

2-WAY DIRECTIONAL CLEANOUT (SDR-26)



(G x G x H)

SIZE	PART NUMBER	CTN QTY	CTN WT	LIST PRICE
4 x GGH	570-0404	1	8	\$498.86
6 x GGH	570-0606	1	20	\$743.20
8 x 4 GGH	570-0804	1	36	\$941.72
8 x 6 GGH	570-0806	1	45	\$1,140.25

2-WAY DIRECTIONAL CLEANOUT (SDR-26)



(G x S x H)

SIZE	PART NUMBER	CTN QTY	CTN WT	LIST PRICE
4 x GSH	571-0404	1	8	\$498.86
6 x GSH	571-0606	1	20	\$743.20
8 x 4 GSH	571-0804	1	36	\$941.72
8 x 6 GSH	571-0806	1	45	\$1,140.25

RISER TEE



SIZE	PART NUMBER	CTN QTY	CTN WT	LIST PRICE
4 x IPS x IPS	290-4110	1	10	\$349.54
4 x SWR x SWR	290-4220	1	16	\$356.33
4 x C900 x C900	290-4330	1	10	\$288.46
6 x IPS x IPS	290-6110	1	19	\$692.29
6 x SWR x SWR	290-6220	1	29	\$712.66
6 x C900 x C900	290-6330	1	19	\$614.24

HARCO PRICE LIST

Special Application Sewer Products

INSIDE DROP MANHOLE CROSS



(SDR-35)

SIZE	PART NUMBER	CTN QTY	CTN WT	LIST PRICE
4 x 4	292-0404	1	6	\$366.51
6 x 4	292-0604	1	8	\$526.01
6 x 6	292-0606	1	8	\$542.98
8 x 4	292-0804	1	12	\$831.43
8 x 6	292-0806	1	13	\$872.16
8 x 8	292-0808	1	14	\$1,035.05
10 x 4	292-1004	1	19	\$2,178.69
10 x 6	292-1006	1	19	\$2,351.76
10 x 8	292-1008	1	22	\$2,521.44
10 x 10	292-1010	1	23	\$3,268.04
12 x 4	292-1204	1	26	\$2,328.01
12 x 6	292-1206	1	28	\$2,684.34
12 x 8	292-1208	1	30	\$2,870.99
12 x 10	292-1210	1	32	\$3,173.02
12 x 12	292-1212	1	34	\$3,770.29

Size on size are Sewer x Sewer. Specify all others as Sewer x Sewer or Sewer x IPS.



NOTE: Drop Manhole Crosses are made in three configurations: with **No** cap; with **Half** cap and chain; or with **Whole** cap and chain.

INSIDE DROP MANHOLE CROSS




(SDR-26)

SIZE	PART NUMBER	CTN QTY	CTN WT	LIST PRICE
4 x 4	592-0404	1	6	\$476.47
6 x 4	592-0604	1	8	\$683.81
6 x 6	592-0606	1	8	\$705.87
8 x 4	592-0804	1	12	\$1,080.86
8 x 6	592-0806	1	13	\$1,051.99
8 x 8	592-0808	1	35	\$1,345.56
10 x 4	592-1004	1	19	\$2,832.29
10 x 6	592-1006	1	19	\$3,057.27
10 x 8	592-1008	1	22	\$3,277.85
10 x 10	592-1010	1	23	\$4,248.45
12 x 4	592-1204	1	26	\$3,026.42
12 x 6	592-1206	1	28	\$3,489.65
12 x 8	592-1208	1	30	\$3,732.29
12 x 10	592-1210	1	32	\$4,124.92
12 x 12	592-1212	1	34	\$4,901.39


Size on size are Sewer x Sewer. Specify all others as Sewer x Sewer or Sewer x IPS.

RISER CASING CAP



SIZE	PART NUMBER	CTN QTY	CTN WT	LIST PRICE
8 x 4	290-084	1	7.4	\$268.09
8 x 6	290-086	1	7.45	\$268.09

RISER CASING SHOE



(Cast Iron)

SIZE	PART NUMBER	CTN QTY	CTN WT	LIST PRICE
8	290-080	1	56.5	\$892.40
10	290-100	1	41	\$1,145.34