

HARCO PUSH JOINT DUCTILE IRON SEWER FITTINGS

TYPICAL USES

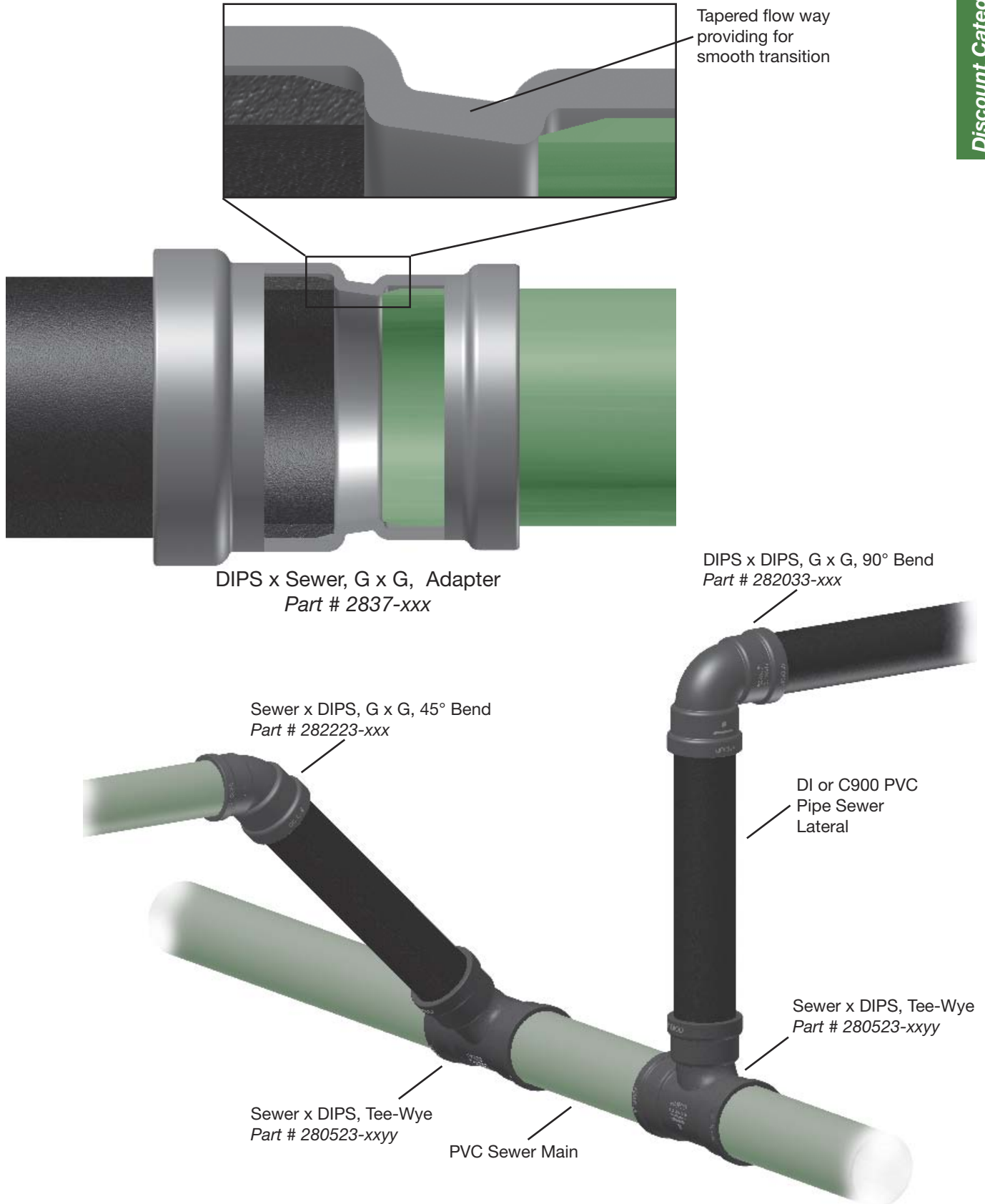
Discount Category G



HARCO PUSH JOINT DUCTILE IRON SEWER FITTINGS

TYPICAL USES

Discount Category G



DIPS x Sewer, G x G, Adapter
Part # 2837-xxx

DIPS x DIPS, G x G, 90° Bend
Part # 282033-xxx

Sewer x DIPS, G x G, 45° Bend
Part # 282223-xxx

DI or C900 PVC
Pipe Sewer
Lateral

Sewer x DIPS, Tee-Wye
Part # 280523-xyy

Sewer x DIPS, Tee-Wye
Part # 280523-xyy

PVC Sewer Main