

Lateral Isolation Valve



**With Cross Handle
and DI Grip Ring**



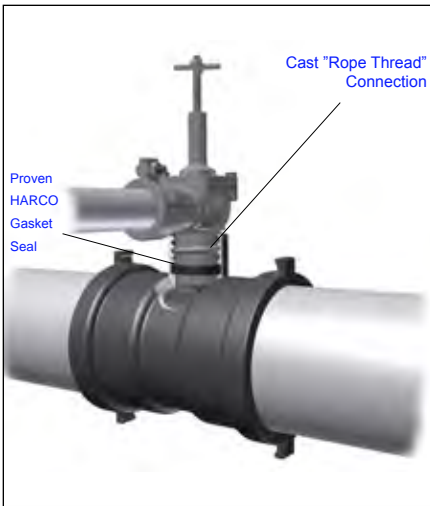
**With Square Nut
and SS Grip Ring**

Available In:

2", 2½", 3" & 4"



ENGINEERED FOR DURABILITY



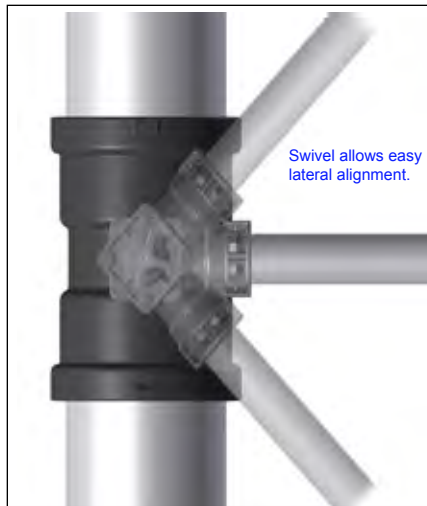
Easy to Install, Self Restrained Joints

HARCO Lateral Isolation Valves easily assemble into HARCO female swivel outlet tees and saddles. The swivel joint maintains the seal while orienting for lateral alignment without the risk of seal or over tightening failures common with NPT thread joints. The HARCO swivel connection does not require extra pieces or bolts.

The HARCO Lateral Isolation Valve is covered by US Patents # 7,055,865 & 7,552,949

Construction

HARCO Lateral Isolation Valves are made of materials selected for the extremes found in irrigation systems. HARCO Lateral Isolation Valves have 316 stainless steel components and peroxide cured EPDM seals assuring long life. Bonnets and bodies are gall resistant stainless steel assuring the stainless steel stem and bonnet bolts won't seize. The twin stem seals are permanently lubricated. And, each valve is factory hydro tested.

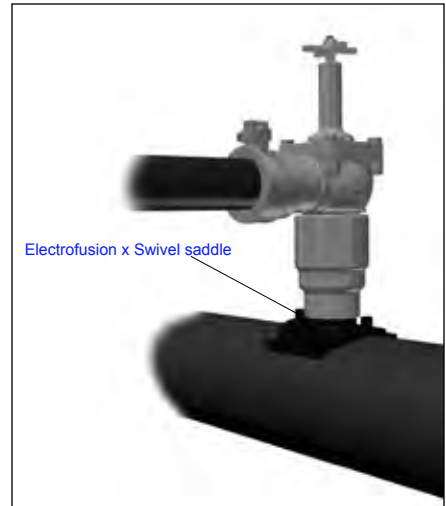


High Strength, Corrosion Resistant

Pressure rated 200 psi, HARCO Lateral Isolation Valves are manufactured with stainless steel bonnets, bodies, and stem assemblies for high strength and superior corrosion resistance. These materials are ideal for golf and commercial irrigation systems where chemical treatments and reclaimed water are used.

Configuration, Options

HARCO Lateral Isolation Valves are available in 2", 2 1/2", 3", and 4" sizes. All sizes are available in male swivel inlet and restrained gasketed outlet. With a nominal 6" rise from top of main to top of lateral, the rise can be increased in increments of 6" swivel extension fittings. These valves can be had with cross handles, 2" square operating nuts, and ductile iron and 316 stainless steel outlet grip rings.

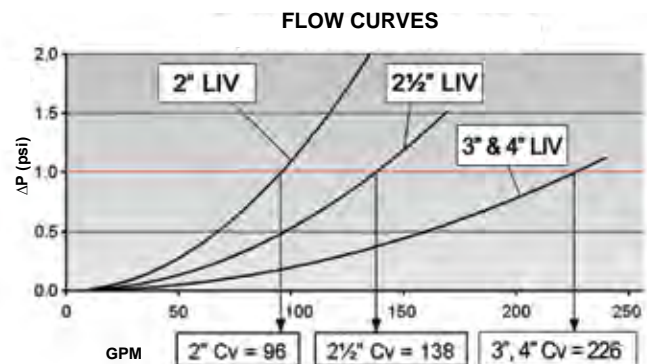
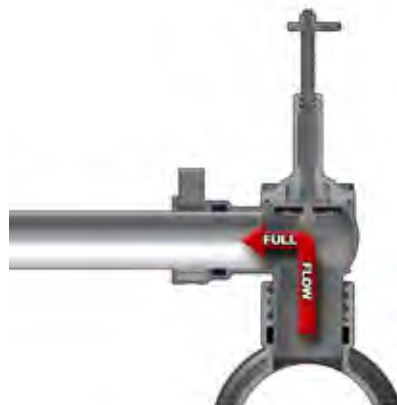


PVC or PE Systems

HARCO Lateral Isolation Valves can be used on PVC or PE systems. A full range of ductile iron swivel tees, ductile iron swivel saddles, electrofusion swivel saddles, and side wall fusion swivel saddles are available. PE saddles are available with ductile iron or 316 stainless steel outlets.

High Flow, Low Pressure Loss

The Lateral Isolation Valve features full port flow with a fully retractable seal assembly. Flow loop testing yields a Cv of 96 for 2", 138 for 2 1/2", and 226 for the 3" and 4" LIV's. For a 2" with a 50 gpm flow there is a pressure drop across the valve of 1/4 psi. This flow performance can benefit the user in reduced pumping costs and greater operating flexibility.



HARRINGTON CORPORATION - P.O. BOX 10335 - LYNCHBURG, VIRGINIA 24506-0335

PHONE: 434-845-7094 - FAX: 434-845-8562 - E-MAIL: sales@harcofittings.com - WEB: www.harcofittings.com

LATERAL ISOLATION VALVES

CROSS HANDLE

DUCTILE IRON GRIP RING



Item	Part Number
2" x 6"	8411062PL
2" x 12"	8411122PL
2 ½" x 6"	8412062PL
3" x 6"	8413062PL
4" x 6"	8414062PL

CROSS HANDLE

STAINLESS STEEL GRIP RING



Item	Part Number
2" x 6"	8411062PQ
2" x 12"	8411122PQ
2 ½" x 6"	8412062PQ
3" x 6"	8413062PQ
4" x 6"	8414062PQ

2" SQUARE NUT

DUCTILE IRON GRIP RING



Item	Part Number
2" x 6"	8411062PN
2" x 12"	8411122PN
2 ½" x 6"	8412062PN
3" x 6"	8413062PN
4" x 6"	8414062PN

2" SQUARE NUT

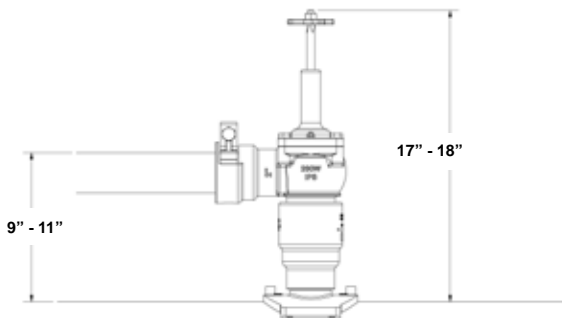
STAINLESS STEEL GRIP RING



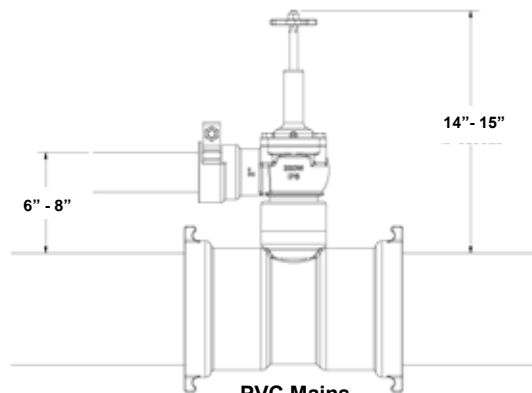
Item	Part Number
2" x 6"	8411062PR
2" x 12"	8411122PR
2 ½" x 6"	8412062PR
3" x 6"	8413062PR
4" x 6"	8414062PR

NOTES

- 2x12 valves are assembled from 2x6 valves and FBE coated 6" extensions



PE Mains
(varies by valve size)



PVC Mains
(varies by valve size)



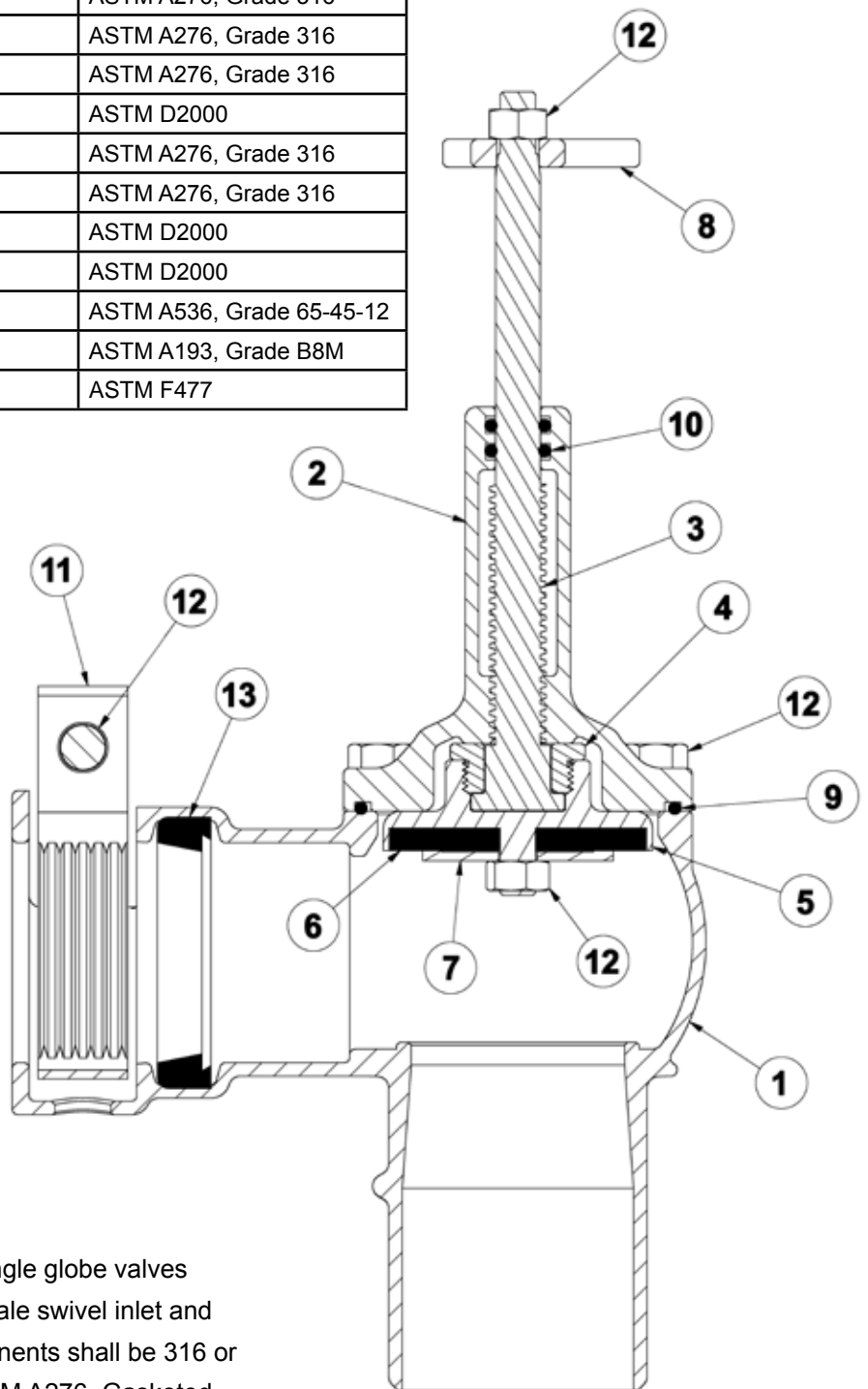
MATERIALS OF CONSTRUCTION			
ITEM	DESCRIPTION	MATERIAL	STANDARD
1	BODY	GALL RESISTANT SS	UNS 21800
2	BONNET	GALL RESISTANT SS	UNS 21800
3	STEM	316 SS	ASTM A276, Grade 316
4	RETAINER BUSHING	316 SS	ASTM A276, Grade 316
5	SEAL CUP	316 SS	ASTM A276, Grade 316
6	SEAL	EPDM †	ASTM D2000
7	RETAINING WASHER	316 SS	ASTM A276, Grade 316
8	HANDLE	316 SS	ASTM A276, Grade 316
9	BONNET O-RING	EPDM †	ASTM D2000
10	STEM O-RING	EPDM † ‡	ASTM D2000
11	GRIP RING	DUCTILE IRON	ASTM A536, Grade 65-45-12
12	NUTS & BOLTS	316 SS	ASTM A193, Grade B8M
13	GASKET	SBR	ASTM F477

† PEROXIDE CURED

‡ PERMANENTLY LUBRICATED

Installation

1. Lubricate the gasket in the mating female swivel joint and the inlet spigot of the valve with PVC pipe lubricant.
2. Rotate male thread "in" until joint "bottoms out".
3. Rotate male thread "out" to proper horizontal orientation for valve up to and no more than 360°.
4. Install beveled pipe in outlet bell after lubricating outlet gasket and pipe end. Remove wood wedge and tighten restraint bolt to 35 ft-lbs. Use internal stiffener with PE pipe.



Suggested Specification

Lateral Isolation Valves shall be 200 psi rated angle globe valves with integrally restrained ends. Ends shall be male swivel inlet and restrained push on gasketed joint outlet. Components shall be 316 or UNS 21800 Stainless Steel, complying with ASTM A276. Gasketed joints shall be SBR Rubber and Internal seals shall be EPDM rubber complying with ASTM F477. Lateral Isolation Valves shall be as manufactured by The Harrington Corporation of Lynchburg, VA.



HARRINGTON CORPORATION - P.O. BOX 10335 - LYNCHBURG, VIRGINIA 24506-0335

PHONE: 434-845-7094 - FAX: 434-845-8562 - E-MAIL: sales@harcofittings.com - WEB: www.harcofittings.com