



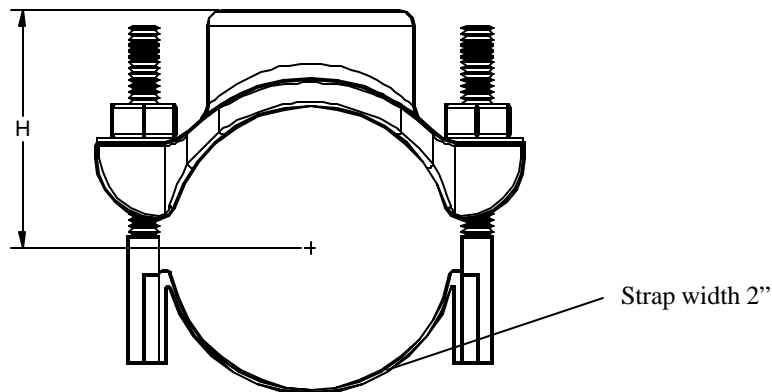
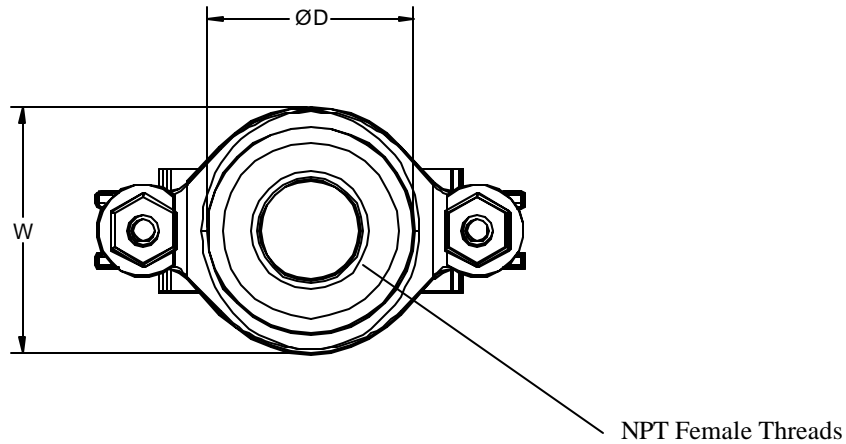
THE HARRINGTON CORPORATION

P.O. Box 10335 Lynchburg, VA 24506

(434) 845-7094 Fax: (434) 845-8562

e-mail: sales@harcofittings.com

HARCO DUCTILE IRON SADDLES



Size	Part No.	NPT Size	D	W	H	Pipe O.D.	Weight
3 x 1-1/2	803803	1-1/2	3.4	4.0	3.4	3.500	3
3 x 2	803804	2	3.4	4.0	3.4	3.500	3
4 x 1-1/2	804803	1-1/2	3.4	4.0	3.9	4.500	3
4 x 2	804804	2	3.4	4.0	3.9	4.500	3
6 x 1 1/2	806803	1-1/2	3.4	4.0	4.8	6.625	4
6 x 2	806804	2	3.4	4.0	4.8	6.625	4
8 x 1-1/2	808803	1-1/2	3.4	4.0	5.8	8.625	5
8 x 2	808804	2	3.4	4.0	5.8	8.625	5
10 x 1-1/2	810803	1-1/2	3.4	4.0	7.0	10.750	6
10 x 2	810804	2	3.4	4.0	7.0	10.750	6
12 x 1-1/2	812803	1-1/2	3.4	4.0	8.0	12.750	7
12 x 2	812804	2	3.4	4.0	8.0	12.750	7

1" NPT Outlets also available

Material Specification:

Casting – Ductile Iron, meets or exceeds ASTM A536

Gaskets – Virgin SBR, meets or exceeds ASTM F477

Strap – Stainless Steel, meets or exceeds ASTM A240

Bolts, Nuts, & Washers – Stainless Steel, meets or exceeds ASTM A240

Note: All dimensions in inches.