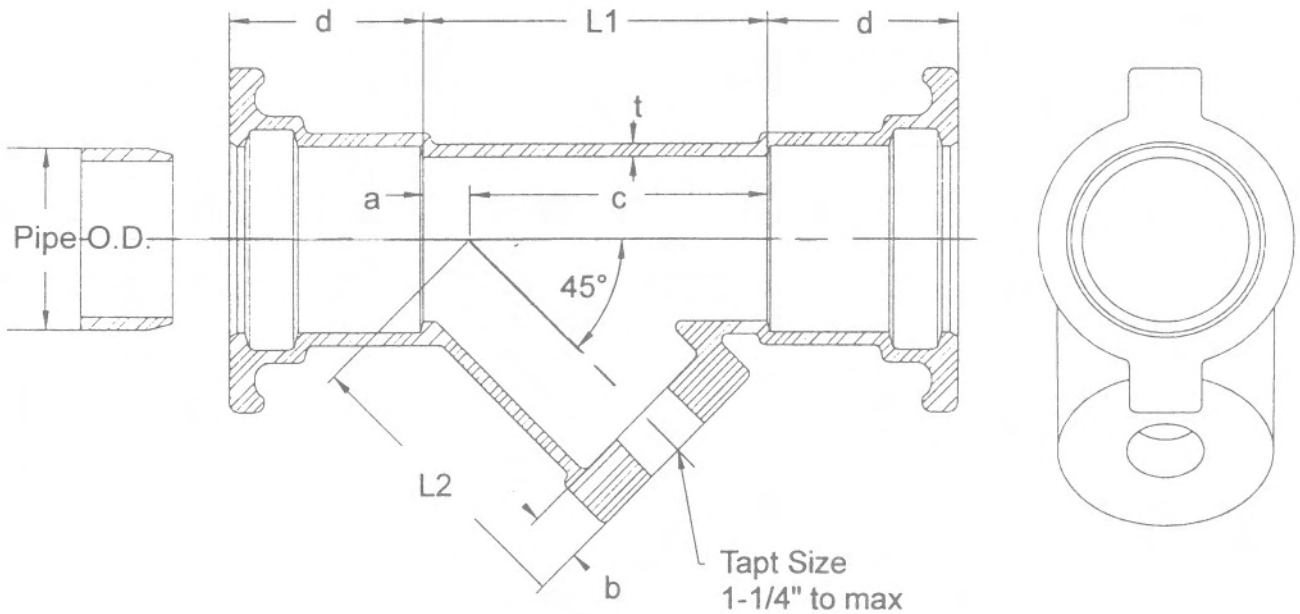


HARCO DUCTILE IRON PUSH ON WYES



| Part No. | Size | a | b | c | d | L1 | L2 | t | Max Tapt | Pipe O.D. |
|----------|--------|------|------|------|------|------|------|------|----------|-----------|
| 80010 | 1-1/2" | 0.61 | 0.75 | 3.00 | 3.28 | 3.61 | 3.74 | 0.25 | 1-1/2 | 1.900 |
| 80110 | 2" | 0.70 | 0.75 | 3.06 | 3.48 | 3.76 | 4.06 | 0.25 | 2 | 2.375 |
| 80210 | 2-1/2" | 0.79 | 1.00 | 4.42 | 3.48 | 5.21 | 4.63 | 0.25 | 2-1/2 | 2.875 |
| 80310 | 3" | 0.91 | 1.00 | 5.79 | 3.75 | 6.70 | 5.73 | 0.25 | 3 | 3.500 |

Note: All dimensions in inches.

Material Specifications:

Fittings - Ductile Iron, meets or exceeds ASTM A536

Gaskets - SBR (Styrene Butadiene Rubber), meets or exceeds ASTM F477

Tapt Outlet - NPT Threads meeting ANSI/ASME B1.20.1-1983

2-23-96

THE HARRINGTON CORPORATION
PHONE 434-845-7094

P.O BOX 10335

LYNCHBURG, VA 24506
FAX 434-845-8562