
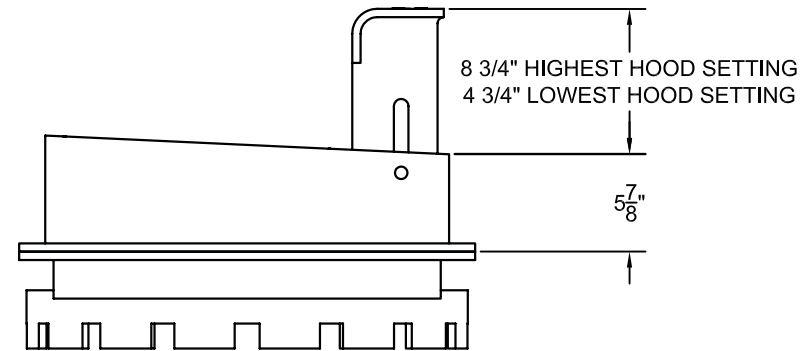
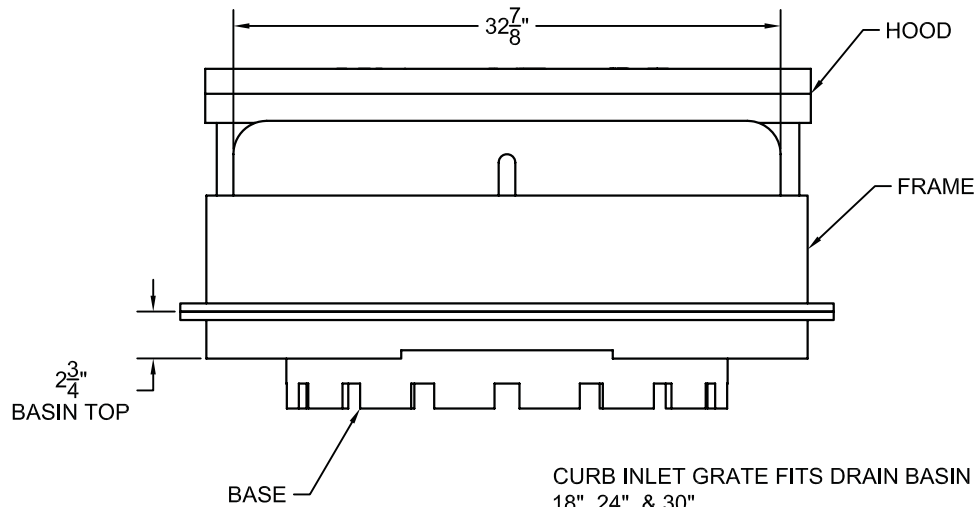
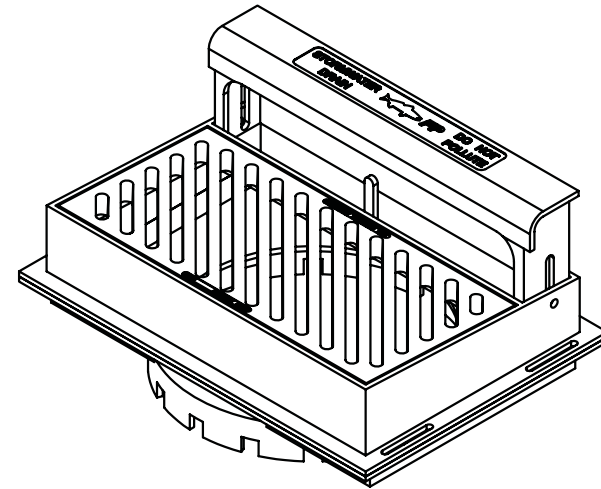
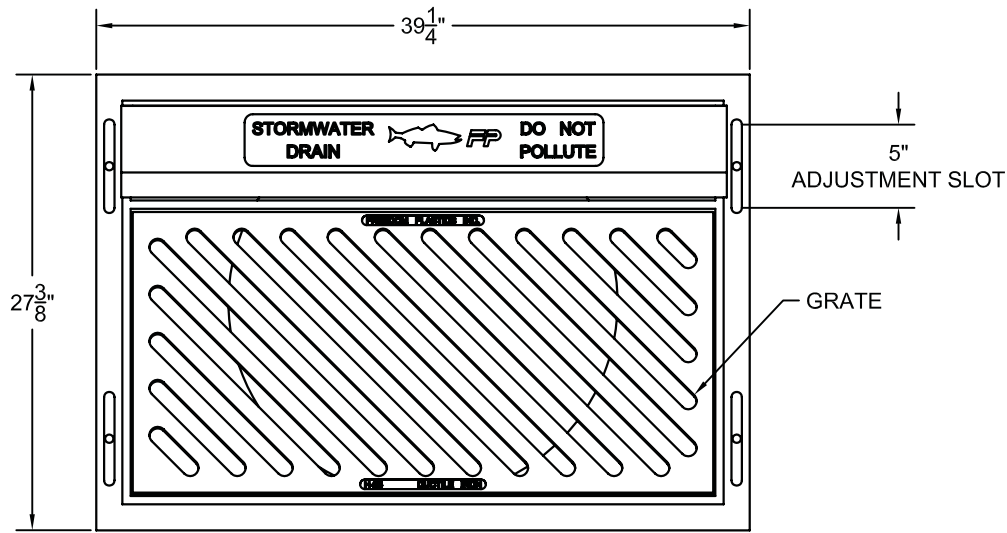



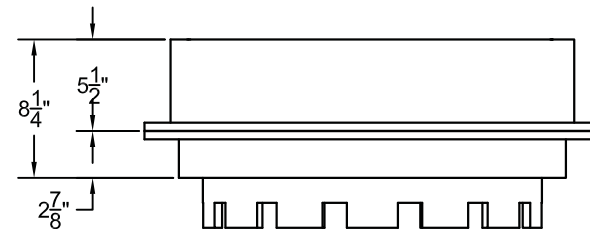
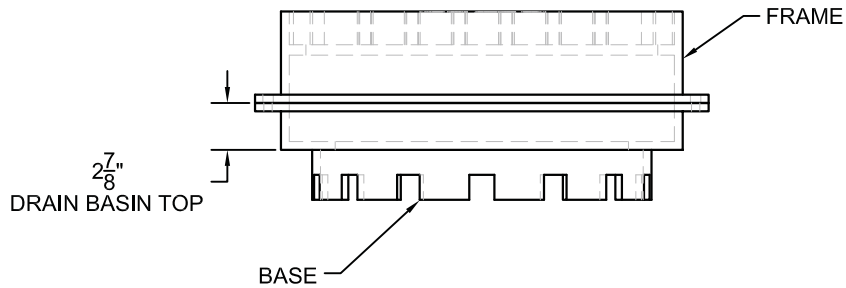
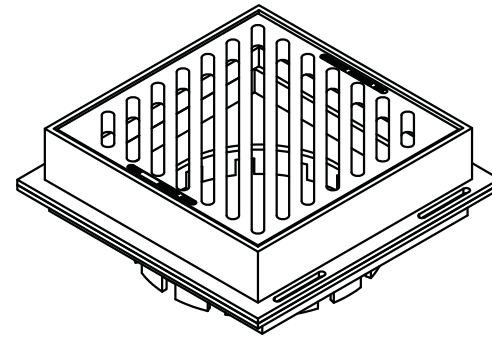
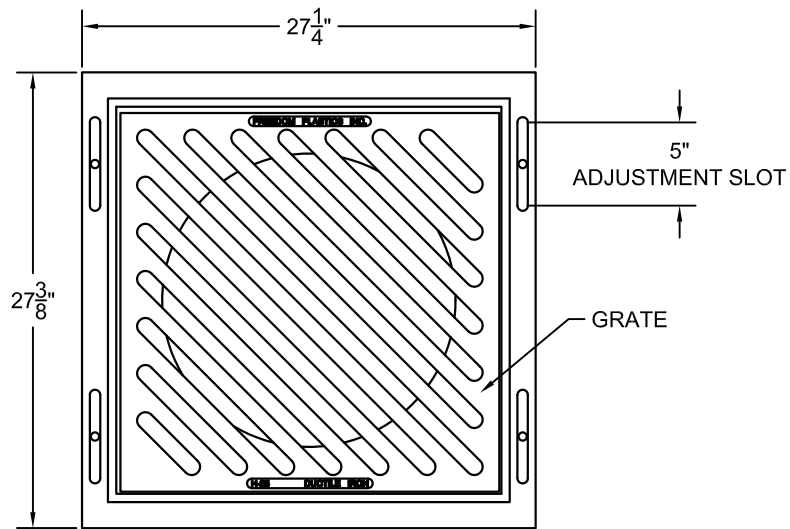
CURB INLET GRATE FITS DRAIN BASIN SIZES:
 12", 15", 18", 24", & 30"
 GRATES HAVE H-25 HEAVY DUTY RATING
 QUALITY: MATERIALS SHALL CONFORM TO ASTM
 A536 GRADE 70-50-05 & A48-CLASS 30B
 MATERIAL: DUCTILE IRON GRATE
 ALL CASTINGS ARE FURNISHED W/ BLACK PAINT AND
 ZINC PLATED FASTENERS
 LOCKING DEVICE: AVAILABLE UPON REQUEST

 The Harrington Corporation		P.O. Box 10335 Lynchburg, VA 24501 (434) 845-7094			
		DWG NO.	00-000	REV	A
2' X 2' CURB ASSEMBLY		SCALE	1/8" : 1"	4-6-02	
		DWN BY:	SAG	CKD BY:	SAG
IMPORTANT: This drawing is the property of THE HARRINGTON CORPORATION and contains confidential information which is not to be used in whole or in part for any purpose other than for which it was specifically furnished. This drawing is to be returned to THE HARRINGTON CORPORATION upon demand.		TOLERANCES XXX± = 0.003" XX± = 0.010" X± = 0.050" ANGLES ± 0.1°		SIZE	B
				SHEET	1 OF 1




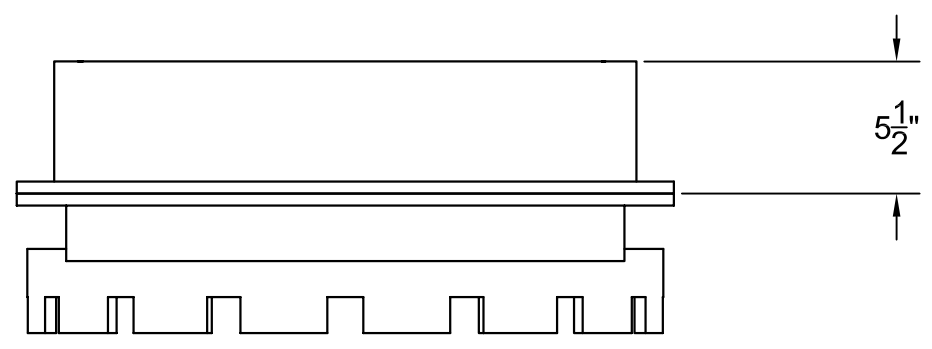
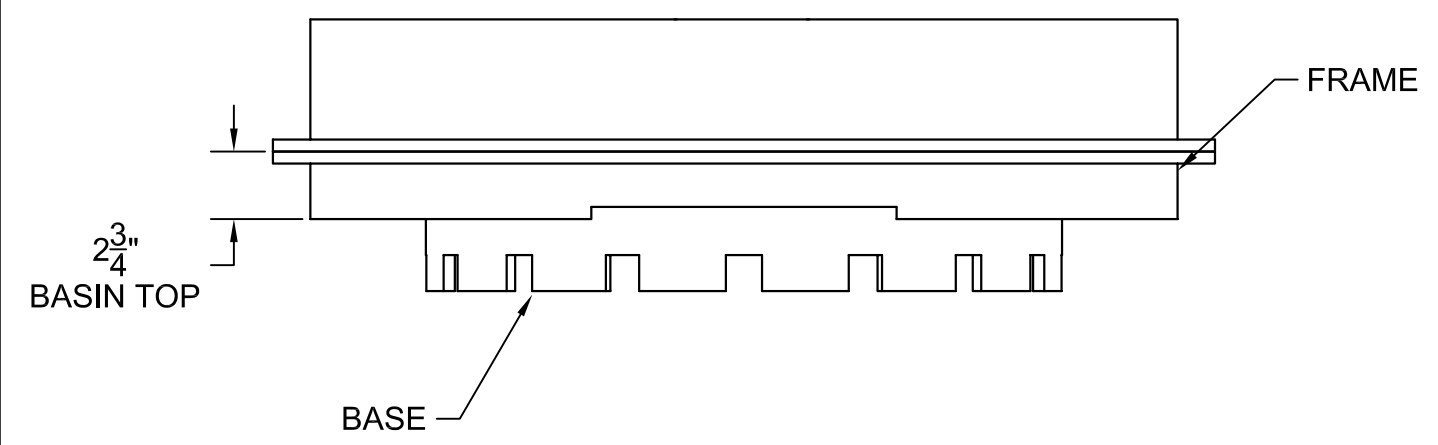
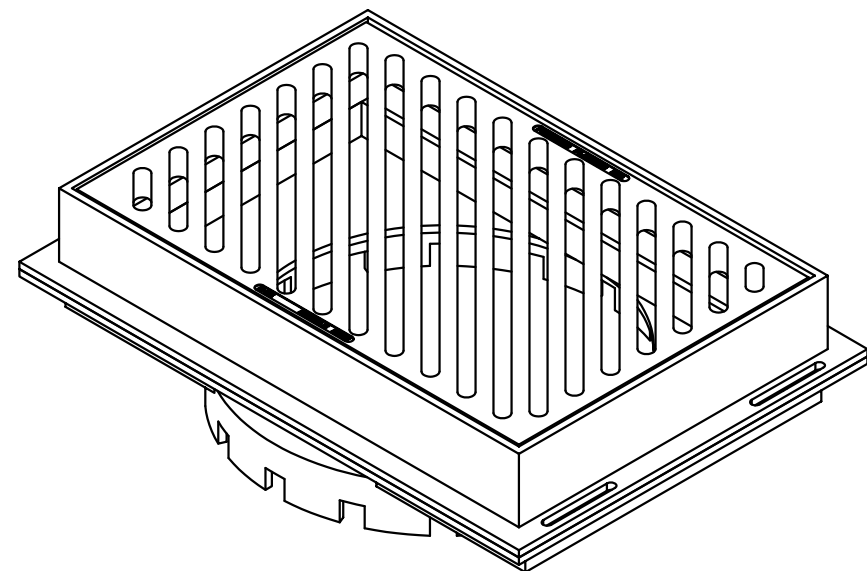
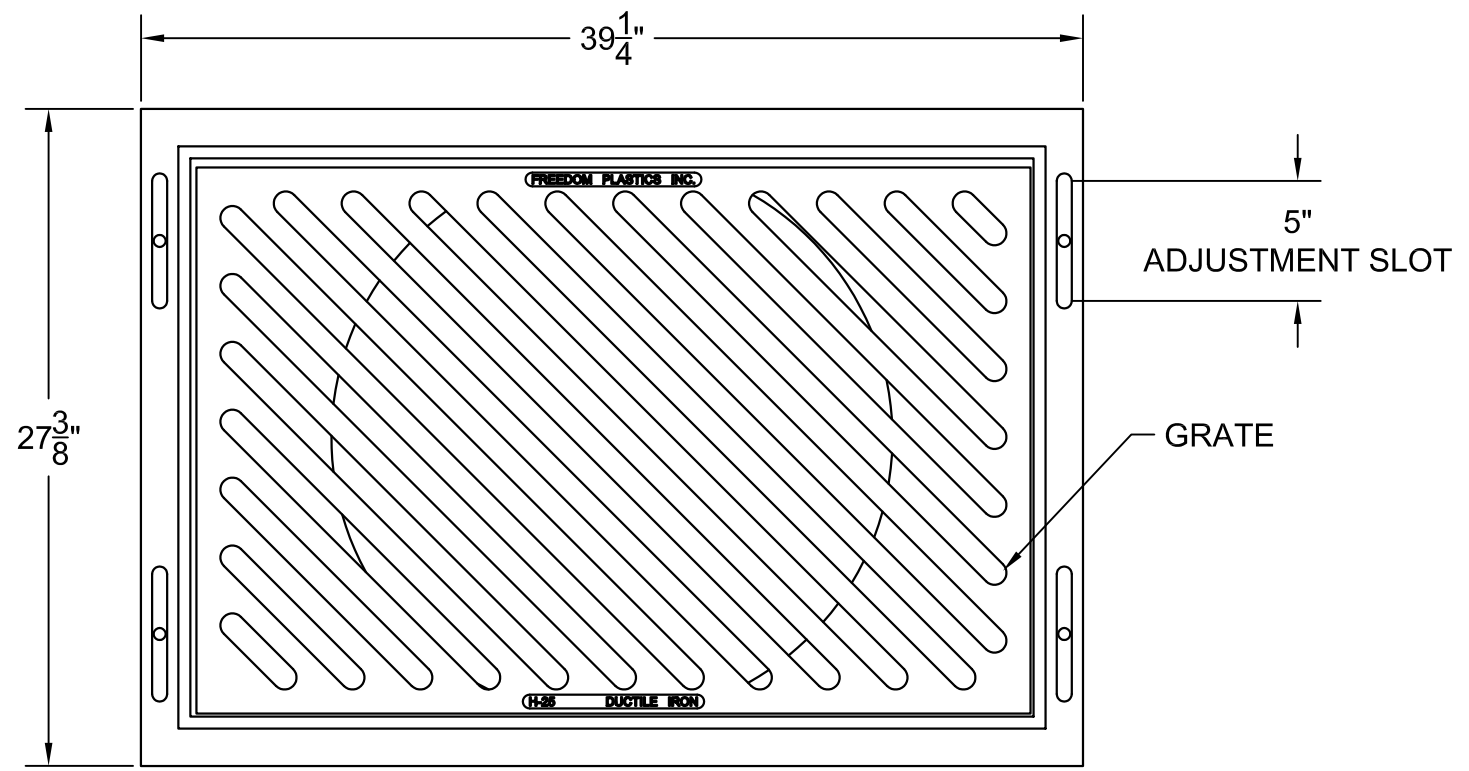
CURB INLET GRATE FITS DRAIN BASIN SIZES:
18", 24", & 30"
GRATES HAVE H-25 HEAVY DUTY RATING
QUALITY: MATERIALS SHALL CONFORM TO ASTM
A536 GRADE 70-50-05 & A48-CLASS 30B
MATERIAL: DUCTILE IRON GRATE
ALL CASTINGS ARE FURNISHED W/ BLACK PAINT AND
ZINC PLATED FASTENERS
LOCKING DEVICE: AVAILABLE UPON REQUEST

 The Harrington Corporation		P.O. Box 10335 Lynchburg, VA 24501 (434) 845-7094			
		DWG NO.	00-000	REV	A
2' X 3' CURB ASSEMBLY		SCALE	1/8" : 1"	4-6-04	
		DWN BY:	SAG	CKD BY:	SAG
IMPORTANT: This drawing is the property of THE HARRINGTON CORPORATION and contains confidential information which is not to be used in whole or in part for any purpose other than for which it was specifically furnished. This drawing is to be returned to THE HARRINGTON CORPORATION upon demand.		TOLERANCES XXX± 0.003" XX± 0.010" X± 0.050" ANGLES ± 0.1°		SIZE	B
				SHEET	1 OF 1




SQUARE TRAFFIC GRATE FITS DRAIN BASIN SIZES:
 12", 15", 18", 24", & 30"
 GRATES HAVE H-25 HEAVY DUTY RATING
 QUALITY: MATERIALS SHALL CONFORM TO ASTM
 A536 GRADE 70-50-05 & A48-CLASS 30B
 MATERIAL: DUCTILE IRON GRATE
 ALL CASTINGS ARE FURNISHED W/ BLACK PAINT AND
 ZINC PLATED FASTENERS
 LOCKING DEVICE: AVAILABLE UPON REQUEST

 The Harrington Corporation		P.O. Box 10335 Lynchburg, VA 24501 (434) 845-7094	
		DWG NO. 00-000	REV A
2' x 2' SQUARE TRAFFIC STRUCTURE ASSEMBLY		SCALE 1/8" : 1"	4-6-04
IMPORTANT: This drawing is the property of THE HARRINGTON CORPORATION and contains confidential information which is not to be used in whole or in part for any purpose other than for which it was specifically furnished. This drawing is to be returned to THE HARRINGTON CORPORATION upon demand.		TOLERANCES XXX± 0.003" XX± 0.010" X± 0.050" ANGLES ± 0.1°	DWN BY: SAG CKD BY: SAG
SIZE B	SHEET	1 OF 1	



SQUARE TRAFFIC GRATE FITS DRAIN BASIN SIZES:
 18", 24", & 30"
 GRATES HAVE H-25 HEAVY DUTY RATING
 QUALITY: MATERIALS SHALL CONFORM TO ASTM
 A536 GRADE 70-50-05 & A48-CLASS 30B
 MATERIAL: DUCTILE IRON GRATE
 ALL CASTINGS ARE FURNISHED W/ BLACK PAINT AND
 ZINC PLATED FASTENERS
 LOCKING DEVICE: AVAILABLE UPON REQUEST

 The Harrington Corporation	P.O. Box 10335 Lynchburg, VA 24501 (434) 845-7094	
	DWG NO. 00-000	REV A
2' x 3' SQUARE TRAFFIC STRUCTURE ASSEMBLY		SCALE 1/8" : 1" 4-6-04
DWN BY: SAG	CKD BY: SAG	
SIZE B SHEET	1 OF 1	

IMPORTANT: This drawing is the property of THE HARRINGTON CORPORATION and contains confidential information which is not to be used in whole or in part for any purpose other than for which it was specifically furnished. This drawing is to be returned to THE HARRINGTON CORPORATION upon demand.

TOLERANCES
 XXX= ± 0.003"
 XX= ± 0.010"
 X= ± 0.050"
 ANGLES ± 0.1°